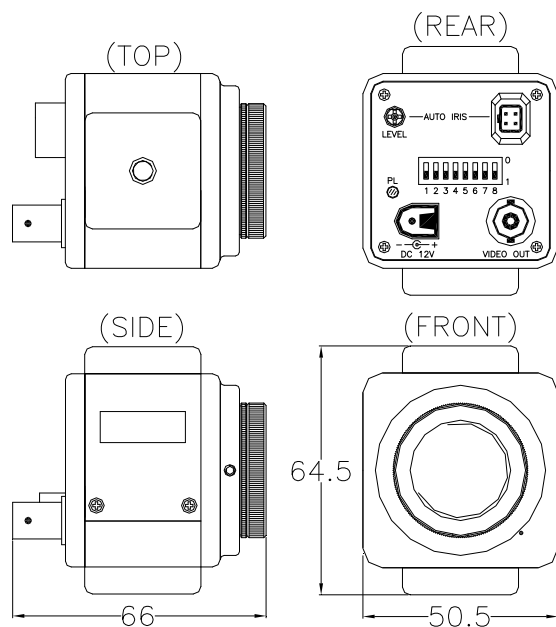


MTV-73S10HN MTV-73S10HP

■ SPECIFICATION

MODE NO.		MTV-73S10HN	MTV-73S10HP
TV SYSTEM		NTSC	PAL
IMAGE SENSOR		1/3-inch I.L. CCD Image Sensor	
CCD TOTAL PIXELS		~ 410K	~ 470K
SYNC SYSTEM		Internal	
MINIMUM ILLUMINATION		0.012 lux@F1.2 /20 IRE AGC on B/W 0.0014 lux@F1.2 /20 IRE SENS-UP (32X) B/W	
LENS & VIEW ANGLE		---	
RESOLUTION		540 TVL	
WHITE BALANCE	Mode	ATW / AWC	
	Range	3200 ~ 10000 °K	
S / N RATIO TYPICAL (MAX)		50dB (MIN) / 58dB (TYP) (Gamma, Aperture, AGC, OFF)	
DNR (Digital Noise Reduce)		S/N UP 4.5dB	
GAIN CONTROL		AGC ON / OFF	
SENSE UP		ON / OFF (Preset X4 ,Option X32)	
H - MIRROR FUNCTION		OFF / ON	
V - MIRROR FUNCTION		OFF / ON	
B.L.C. FUNCTION		ON / OFF	
COLOR BAR		OFF / ON	
AUTO IRIS		A.E.S. / DC-IRIS	
ELECTRONIC SHUTTER		1/60~1/120,000 sec.	1/50~1/120,000 sec.
VIDEO OUTPUT		1.0V p-p composite video at 75 ohm With monitor output	
OPERATION TEMPERATURE		-20°C TO 50°C	
OPERATIONAL HUMIDITY		within 85% RH	
POWER SUPPLY		DC12V±1V / 150mA	

Dimension: Unit (mm / ±0.5mm)



※The specifications and appearance of the product may changed without notice.