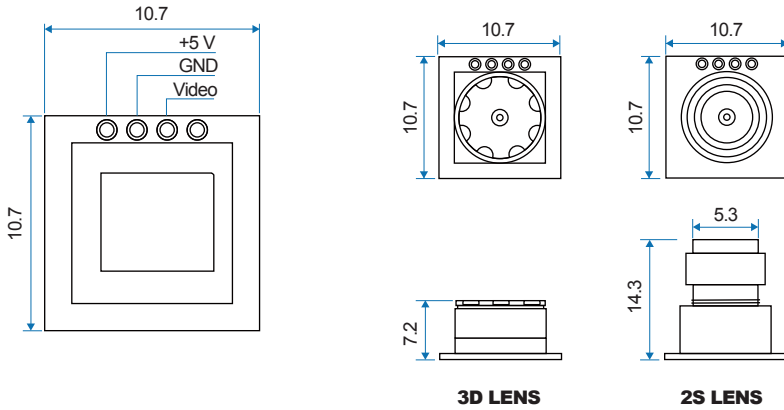


Board Type



Feature

- The smallest cam of the world
- Compact size.
- 10.7x10.7 mm Only !!
- High Performance.
- Outstanding Quality!
- Competitive Price!

Specification

Unit : mm (± 0.5)

Model	MO-B2511
Video system	NTSC / PAL
Number of effective pixels	648 x 488(NTSC & PAL)
Image sensor	1/4" CCIQ II Color Camera
Resolution(TV Lines)	400 TV Lines
S/N Ratio	more than 50dB
scan mode	progressive
Minimum illumination	0.6 Lux/F1.2
frame rate	60 field/sec (NTSC) , 50 field/sec (PAL)
Horizontal sync frequency	NTSC(EIA) -15.734kHz , PAL(CCIR) - 15.625kHz
Vertical sync frequency	NTSC(EIA) - 60Hz , PAL(CCIR) - 50Hz
Camera consumption	0.45
Video output	1Vp-p , 75ohm composite
Storage temperature	-30 to 60 Degree C
Working temperature	-10 to 45 Degree C
Power source	Camera :DC 3.3~5 V
Power current	100 mA-max(DC 5V)
Dimension (mm)	Senor board :10.7x10.7 (mm)



MO-B2511-3D ▶



MO-B2511-2S ▶

Ordering Information

MODEL	Built-in Lens	Mainboard Output
MO-B2511-3D	3.9mm/F2.8	3 Wire out
MO-B2511-2S	2.1mm/F2.5 (super wide Angle)	3 Wire out

NOTE

MO-B2511A A: W/ MIC.

Other Information

- Ultra Mini Camera
- Diameter : 4.8mm only
- 1/8" CCIQ II Color

MO-B0804

1/8"Color CCIQ II
Pixel : 656 x 496 (N/P)
Resolution (TV Lines) : 400 TV Lines
Shutter Speed :30 fps.
Minimum Illuminator :1 LUX
size : (D)4.8 mm only

