



## Box Specification

MODE NO.	MHD-63MG5SH-D	MHD-13MG5SH-D
IMAGE SENSOR	Megapixel CMOS Sensor	
CCD TOTAL PIXELS	1384(H) X 1076(V) approx. 1.49M pixel	
SCANNING SYSTEM	Progressive scan	
SYNC SYSTEM	Internal	
MINIMUM ILLUMINATION	0.1 Lux @ AGC on /Sens-up off/ F1.2 Color to B/W	
RESOLUTION	Over 800 TV-Line (*1)	
OPTIC /Lens	Type filter	Standard Type: C/CS mount with IR-Cut filter Optional Type : ICR(IR-cut removable filter)(*2)
ICR-Set CONTROL	Auto, External-control(Optional function)	
GAIN CONTROL	Auto, manual	
EXPOSURE CONTROL	Auto, manual, IRIS priority	
S / N RATIO	48dB (TYP) (Gamma, Aperture, AGC OFF)	
AUTO IRIS	AES (Rolling shutter) / ALC-DC lens	
MULTI-FORMAT VIDEO OUT	Image Aspect: Full/Normal HDV 16:9 (Mode: Squeeze or Cropped): 720p50/60Hz;1080p25/30Hz;1080i50/60 Hz SDV(4:3)(Mode: Squeeze or cropped): NTSC/PAL(4:3/16:9)	
DNR	3D/2D Noise Reduction (Off/Low/Middle/High)	
GAMMA CORRECTION	0.45 / 1.0	
DIGITAL ZOOM	4 times	
DIGITAL VIDEO OUT	HD-SDI(High Definition-Serial digital Interface)	HDMI(High Definition Multi-media Interface)
ANALOG VIDEO OUT	CVBS NTSC/PAL(Selectable by OSD)	
Protocol	RS-485(Optional function)	
OSD CONTROL	Peak/ BLC/Fixed shutter/XDR /AGC/ Fixed Gain/Slow shutter/3DNR Control/Day-night/Fog-Reduction / Eclipse/Enhance H-V/UV-Matrix/AWB /ATW/R-Y/B-Y/Freeze/Priority/Motion Detection/Digital P.T.Z /Posi-Negative/Privacy MASK/Cross line/Freeze/Com-ID	
OPERATION TEMPERATURE	-20°C TO 50°C	
OPERATIONAL HUMIDITY	within 85% RH	
POWER SUPPLY	DC12V±1V / 280mA	

\*1:For the best image performance and high recognition possibilities, high-quality relative terminal equipment is highly recommend, such as display, video recorder, and camera lens.

\*2: The model name of built-in ICR function is MHD-63MG5SH-DICR or MHD-13MG5SH-DICR

※The specifications and appearance of the product may change without notice.



No. 123 Wu-Kung 1 Rd Wu-Ku Industrial Park, Taipei Taiwan R.O.C.

Fax: 886-2-22989375

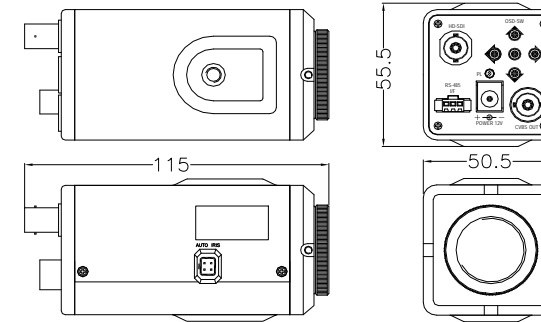
Tel: 886-2-2290277

URL: <http://www.mintron.com> E-mail: [service@mintron.com](mailto:service@mintron.com)



## Dimension (Unit : mm / ±0.3mm)

HD-SDI BOX Type: MHD-63MG5SH



REAR PANEL		
1	HD-SDI OUT	
2	CVBS VIDEO OUT	
3	POWER IN DC-JACK	
4	POWER ON INDEX LED	
5	OSD-SW "ENTER"	
6	OSD-SW "UP"	
7	OSD-SW "DOWN"	
8	OSD-SW "LEFT"	
9	OSD-SW "RIGHT"	
10	RS-485 I/F (Not have release)	
IRIS CONNECTOR( DC-LENS)		
P1	DUMP-	
P2	DUMP+	
P3	DRIVE	
P4	DRIVE	

※The specifications and appearance of the product may change without notice.



No. 123 Wu-Kung 1 Rd Wu-Ku Industrial Park, Taipei Taiwan R.O.C.

Fax: 886-2-22989375

Tel: 886-2-2290277

URL: <http://www.mintron.com> E-mail: [service@mintron.com](mailto:service@mintron.com)

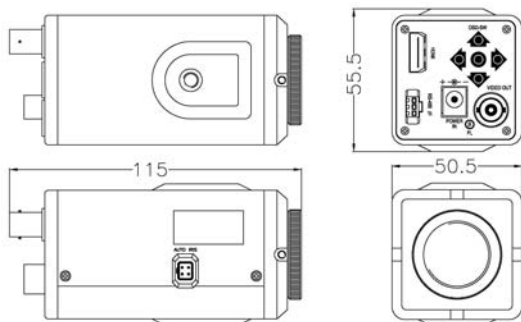


Model Name MG5(Multi-format type)

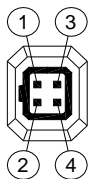
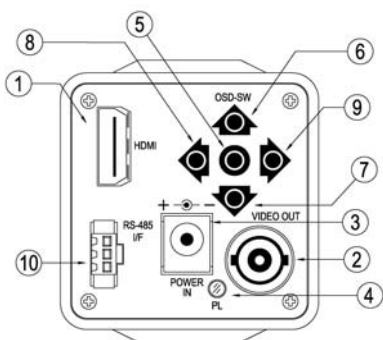
Ver 2.0 20110406

## Dimension (Unit : mm / ±0.3mm)

HDMI BOX –Type: MHD-13MG5SH



REAR PANEL	
1	HDMI OUT
2	CVBS VIDEO OUT
3	POWER IN DC-JACK
4	POWER ON INDEX LED
5	OSD-SW "ENTER"
6	OSD-SW "UP"
7	OSD-SW "DOWN"
8	OSD-SW "LEFT"
9	OSD-SW "RIGHT"
10	RS-485 I/F (Not have release)
IRIS CONNECTOR( DC-LENS)	
P1	DUMP-
P2	DUMP+
P3	DRIVE
P4	DRIVE



※The specifications and appearance of the product may change without notice.



No. 123 Wu-Kung 1 Rd Wu-Ku Industrial Park, Taipei Taiwan R.O.C.

Fax: 886-2-22989375

Tel: 886-2-22990277

URL: <http://www.mintron.com> E-mail: [service@mintron.com](mailto:service@mintron.com)