

MODEL NO. : LSD-7725 V1.3

□ SPECIFICATION □

◆ DISPLAY SCREEN	SIZE	7 Inch
	Active Area	152.4(W) x 91.44 (H)mm
	ELEMENT	COLOR TFT LCD 262K(18Bit)
	RESOLUTION	800 (W) x RGB x 600 (H)
	DOT PITCH	0.0635 (W) x 0.1905 (H)mm
◆ VIDEO INPUT	NTSC and PAL System	
NTSC	f_H : 15.75 Khz	PAL f_H : 15.625 Khz
	f_V : 60 Hz	f_V : 50 Hz
	f_C : 3.58 MHz	f_C : 4.43 MHz
◆ SDI FORMAT SUPPORT	480i, 525/29.97 NTSC, 625/25 PAL	
	720P50, 720P60,	
	1080i50, 1080i5994, 1080i60	
◆ INPUT CONNECTOR	Video In x2 RCA , Video Out x1 RCA	
	Audio In x1 RCA, Audio Out x1 RCA	
	SDI In x 1 BNC SDI Out x 2 BNC	
◆ OPTICAL RISE TIME/FALL TIME	Tr=15 msec, Tf=35 msec	
◆ BACKLIGHT	LED (WHITE)	
◆ POWER CONSUMPTION	DC 12V 480mA, 5.76W	
	DC 24V 240mA, 5.76W.	
◆ OPERATING TEMPERATURE	-10°C ~ 60°C	
◆ STORAGE TEMPERATURE	-20°C ~ 70°C	
◆ BRIGHTNESS	450 cd/m ²	
◆ CONTRAST	400 : 1	
◆ VIEWING ANGLE	Vertical ± 40° , Horizontal : ± 60°	
◆ LCD SCREEN	165 x 104 x 10.5 (mm)	
◆ OVERALL DIMENSION	231.12(W) x 164.0(H) x 100.86(D)	
◆ WEIGHT	2500 ± 100 g	

□ FEATURES □

- ◆ High Definition SDI Input
- ◆ LED Back Light , Low Power Consumption
- ◆ DC/DC DC/AC Video Decoder All In One
- ◆ NTSC/PAL Video Input Auto-Switch
- ◆ Up/Down , Left/Right, Image Reverse Function
- ◆ 12V ~ 24V Wide Operating Voltage
- ◆ TALLY Indicator

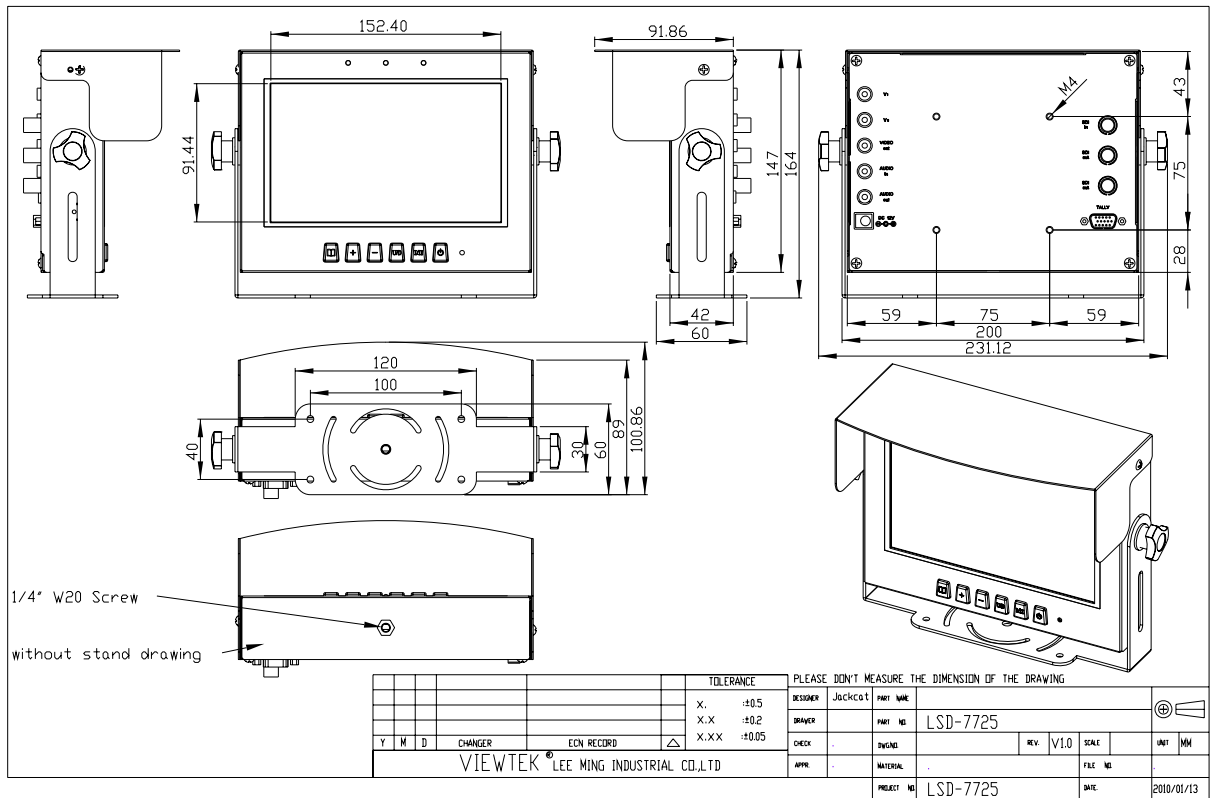
□ APPLICATIONS □

- ◆ Security
- ◆ Broadcasting
- ◆ Video Game
- ◆ Door Phone
- ◆ Video Phone
- ◆ Portable TV
- ◆ Center Control Room
- ◆ Instrument Display
- ◆ High Performance Display

□ TALLY LED CONTROL □

GREEN	RED	YELLOW	GND
PIN 1	PIN 2	PIN 3	PIN 4,5

□ MECHANICAL DRAWING □



▭ Record of Revision ▭

Version and Date	Page	Old Description	New Description	Remark
V.1.1, 0113-2010	3	LSD-7725 New model	LSD-7725 New Model	
V.1.3, 1208-2010	3		Add SDI Support : 1080i50 , 1080i5994	08.Dec.2010