



## Box Specification

MODE NO.	MHD-13MG5SH-D
IMAGE SENSOR	Megapixel CMOS Sensor
CCD TOTAL PIXELS	1384(H) X 1076(V) approx. 1.49M pixel
SCANNING SYSTEM	Progressive scan
SYNC SYSTEM	Internal
MINIMUM ILLUMINATION	0.1 Lux @ AGC on /Sens-up off/ F1.2 Color to B/W
RESOLUTION	Over 800 TV-Line (*1)
OPTIC /Lens	Type filter Standard Type: C/CS mount with IR-Cut filter Optional Type : ICR(IR-cut removable filter)(*2)
ICR-Set CONTROL	Auto, External-control(Optional function)
GAIN CONTROL	Auto, manual
EXPOSURE CONTROL	Auto, manual, IRIS priority
S / N RATIO	48dB (TYP) (Gamma, Aperture, AGC OFF)
AUTO IRIS	AES (Rolling shutter) / ALC-DC lens
MULTI-FORMAT VIDEO OUT	Image Aspect: Full/Normal HDV 16:9 (Mode: Squeeze or Cropped): 720p50/60Hz;1080p25/30Hz;1080i50/60 Hz SDV(4:3)(Mode: Squeeze or cropped): NTSC/PAL(4:3/16:9)
DNR	3D/2D Noise Reduction (Off/Low/Middle/High)
GAMMA CORRECTION	0.45 / 1.0
DIGITAL ZOOM	4 times
DIGITAL VIDEO OUT	HDMI(High Definition Multi-media Interface)
ANALOG VIDEO OUT	CVBS NTSC/PAL(Selectable by OSD)
Protocol	RS-485(Optional function)
OSD CONTROL	Peak/ BLC/Fixed shutter/XDR /AGC/ Fixed Gain/Slow shutter/3DNR Control/Day-night/Fog-Reduction / Eclipse/Enhance H-V/UV-Matrix/AWB /ATW/R-Y/B-Y/Freeze/Priority/Motion Detection/Digital P.T.Z /Posi-Negative/Privacy MASK/Cross line/Freeze/Com-ID
OPERATION TEMPERATURE	-20°C TO 50°C
OPERATIONAL HUMIDITY	within 85% RH
POWER SUPPLY	DC12V±1V / 280mA

\*1:For the best image performance and high recognition possibilities, high-quality relative terminal equipment is highly recommend, such as display, video recorder, and camera lens.

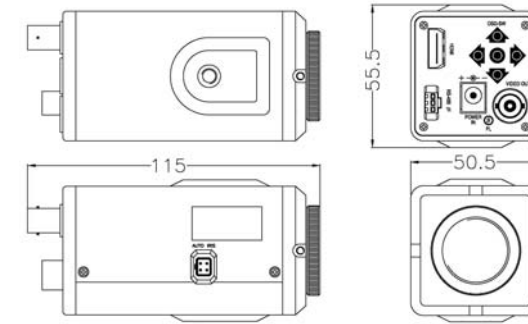
\*2: The model name of built-in ICR function is MHD-13MG5SH-DICR

※The specifications and appearance of the product may change without notice.



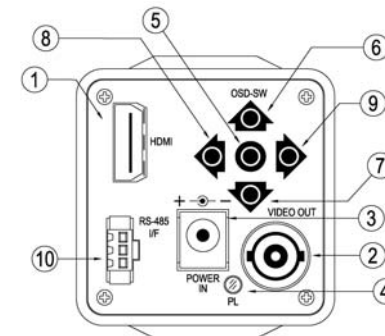
## Dimension (Unit : mm / ±0.3mm)

HDMI BOX –Type: MHD-13MG5SH



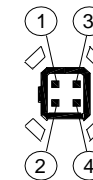
### REAR PANEL

1	HDMI OUT
2	CVBS VIDEO OUT
3	POWER IN DC-JACK
4	POWER ON INDEX LED
5	OSD-SW "ENTER"
6	OSD-SW "UP"
7	OSD-SW "DOWN"
8	OSD-SW "LEFT"
9	OSD-SW "RIGHT"
10	RS-485 I/F (Not have release)



### IRIS CONNECTOR( DC-LENS)

P1	DUMP-
P2	DUMP+
P3	DRIVE
P4	DRIVE



※The specifications and appearance of the product may change without notice.